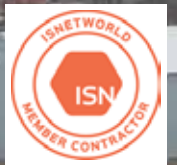




**MAYES COATINGS & INSULATION, INC.**

**From the ground up, MC&I covers all tank needs.**



# COMPANY INFORMATION & MEMBERSHIPS

- Member of:



- Approved ISNETWORLD Supplier



- Fully Insured
- Meets Standards For AWWA, API, NACE, SSPC, OSHA and EPA
- Turnkey service for all tank needs
- New construction & maintenance on welded & bolted tanks
- Crossed-trained professional service for time-efficient project completion

Our manufacturing facility is centrally located in Reed, KY, just off of US Highway 60 between Henderson and Owensboro, KY. Our facility sits on 7 1/2 acres with 26,000 sq ft of manufacturing space, enough room to handle the largest projects. Mayes Coatings & Insulation, Inc. may be contacted for project quotations by phone, online or onsite. We are able to meet the client's specifications and expectations, regardless of the size of the project. Mayes Coatings & Insulation, Inc. can provide a variety of coatings and insulation systems, making it easy for the customer to acquire all tank services from a single contractor.

## *Our Pledge*

MC&I, Inc. ensures the highest integrity in safety & quality in order to provide complete customer satisfaction. We continuously strive to provide cost effective solutions to every customer's specific needs.

### **Mayes Coatings & Insulation, Inc.**

6082 Peters London Rd, Reed, KY 42451  
866-93-MAYES — FAX 270-826-8586  
[www.mayescoatings.com](http://www.mayescoatings.com)

# TURNKEY SERVICES & PRODUCTS

- Vertical Standing Seam Panel Insulation
- Manufactured at our plant
- Installed onsite by our trained professionals
- Polyurethane Spray Foam Insulation
- Thermal Barriers
- Pipe Insulation
- Sandblast/Surface Prep
- Minor Welding Repairs
- Protective Corrosion Coatings
- Epoxy, Urethane or Polyurea Coating Applications



MAYES COATINGS & INSULATION, INC.

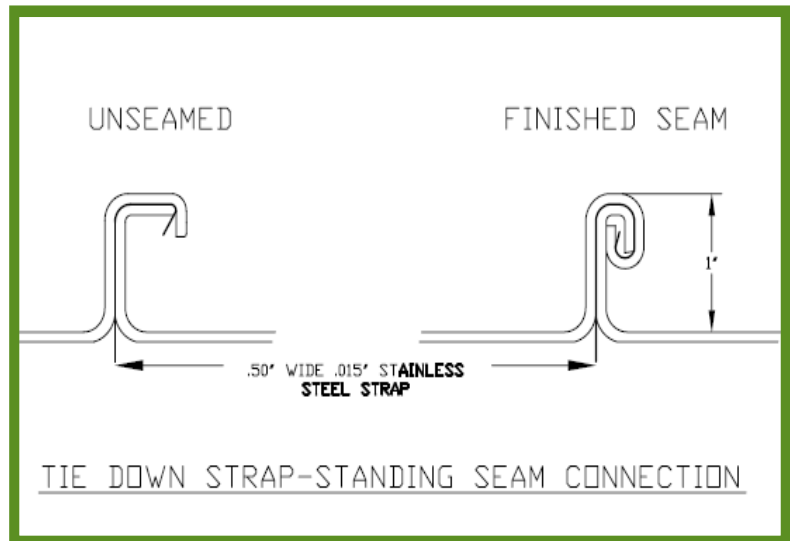
From the ground up, MC&I covers all tank needs.

# VERTICAL STANDING SEAM PANEL INSULATION SYSTEM

**RIDGLOK**  
PANEL SYSTEM

Heated or cold storage applications:

- ✓ Fire Protection
  - ✓ Biofuel Plants
  - ✓ Wastewater
  - ✓ Petrochemical
  - ✓ Agricultural
- Manufactured at our facility
  - Delivered and installed by our trained professionals
  - Low maintenance
  - Double rolled seam to protect against moisture and wind
  - Color selection allows for matching surrounding structures and top aesthetic value
  - Various insulation materials adhered to variety of metal to achieve custom engineering for any tank

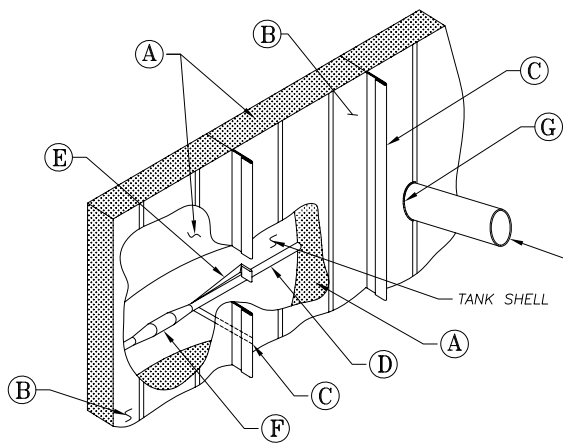


**Mayes Coatings & Insulation, Inc.**

6082 Peters London Rd, Reed, KY 42451  
866-93-MAYES — FAX 270-826-8586  
[www.mayescoatings.com](http://www.mayescoatings.com)

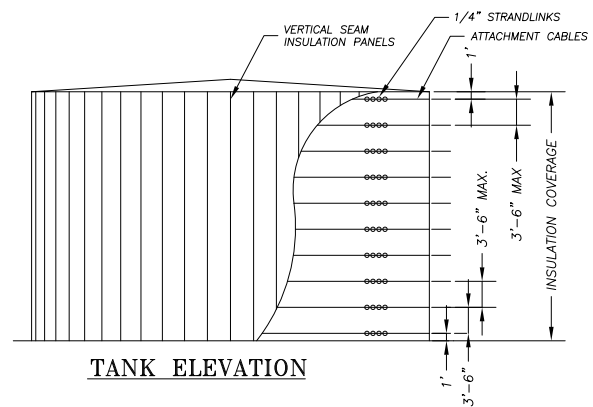
# VERTICAL STANDING SEAM PANEL INSULATION DETAIL

## RIDGLOK PANEL SYSTEM



DETAIL OF VERTICAL PANEL

SYSTEM COMPONENTS	
A)	INSULATION: POLYISOCYANURATE INSULATION
B)	METAL: .024" THICK STUCCO EMBOSSED ALUMINUM
C)	SEAM: DOUBLE - FOLDED VERTICAL SEAMS
D)	CABLE: .25" THICK STAINLESS STEEL CABLES SPACED AS SHOWN
E)	BANDING: .50" WIDE X .015 THICK STAINLESS STEEL BANDING
F)	STRANDLINKS: .25" ALLGRADE STRAND LINKS
G)	CALKING: DYMONIC CAULKING



TANK ELEVATION



VERTICAL SIDEWALL PANEL INSULATION SYSTEM		
DWG NO.	SW-07-01	REV. 00
SCALE-N/A	PANEL COLOR:	SHT. 2 OF 3
DATE: 4-3-11		



MAYES COATINGS & INSULATION, INC.

From the ground up, MC&I covers all tank needs.

# VERTICAL STANDING SEAM PANEL MATERIAL SPECIFICATIONS

## **RIDGLOK** PANEL SYSTEM

MATERIAL	K-VALUE	DENSITY	OPERATING RANGE	FLAME SPREAD*	SMOKE DEVELOPMENT*
Polyisocyanurate	0.19 @100°F Mean Temp	2.0lbs per ft <sup>3</sup>	- 40°F to 250°F	25	75-160
Mineral Wool	0.30 @100°F Mean Temp	8.0lbs per ft <sup>3</sup>	Sub-ambient to 1200°F	5	0
Fiber Glass	0.24 @100°F Mean Temp**	3.0lbs per ft <sup>3</sup>	Ambient to 850°F **	25	50
Foamglass	0.29 @75°F Mean Temp	7.5lbs per ft <sup>3</sup>	- 450°F to 900°F	0	0
Calcium Silicate	0.41 @200°F Mean Temp	14.5lbs per ft <sup>3</sup>	450° to 1200°F	0	0
Expanded Perlite	0.51 @200°F Mean Temp	13.0lbs per ft <sup>3</sup>	Ambient to 1200°F	0	0

\* Flame spread and smoke development is based off ASTM 84E, done in controlled laboratory conditions.

\*\* Operating range based on 6" thick material.

POLYISOCYANURATE BOARD	
Thickness	R Value
1.0"	5.9
1.5"	9.4
2.0"	12.9
2.5"	16.4
3.0"	19.9
3.5"	23.3
4.0"	26.8
4.5"	30.3

EXTERIOR JACKETING MATERIALS	
Material	Thickness Ranges
Aluminum	0.020 to 0.030
Galvalume	29 gauge to 22 gauge
Stainless Steel	0.016

**Mayes Coatings & Insulation, Inc.**

6082 Peters London Rd, Reed, KY 42451  
866-93-MAYES — FAX 270-826-8586  
www.mayescoatings.com

# STANDARD ALUMINUM PANEL COLORS

0.024 Stucco-embossed Aluminum with a polyester coating system.



**FAWN**



**WHITE**



**MILL**



**GREY**

\* The above colors are intended only as approximation of actual metal colors. Actual color chips can be supplied if requested.



**MAYES COATINGS & INSULATION, INC.**

**From the ground up, MC&I covers all tank needs.**

# PIPE INSULATION & SEWN BLANKETS

- 0.016 – 0.030 Aluminum jacketing with a variety of insulation material options
- Sewn blanket removable pipe insulation



# SPRAY FOAM INSULATION APPLICATION

- Durable and high R-Value per inch
- Energy efficient thermal barrier
- Fills in gaps & holes as it expands
- Conforms to wall cavity, creating an air & watertight seal
- Controls moisture & condensation
- Service temps up to 180° F
- Cost efficient

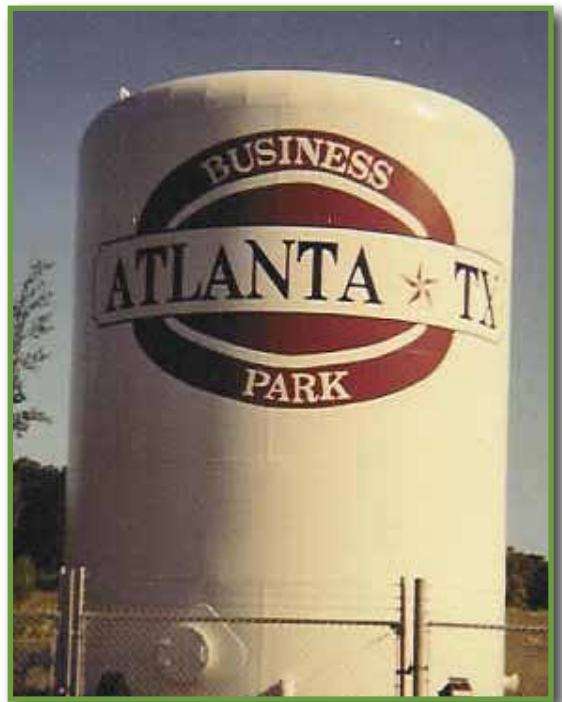


MAYES COATINGS & INSULATION, INC.

From the ground up, MC&I covers all tank needs.

# PAINT & COATING SYSTEMS

- Fully insured OSHA compliant painting contractor
- High quality paints from SHERWIN WILLIAMS, TNE MEC, ICI and more
- Sandblasting
- Repairs and maintenance
- Minor welding repair
- Interior & exterior tank linings
- Epoxy, Urethane & Polyurea coating
- Stencils/decals





**MAYES COATINGS & INSULATION, INC.**

**From the ground up, MC&I covers all tank needs.**



**MAYES COATINGS & INSULATION, INC.**

**From the ground up, MC&I covers all tank needs.**

6082 Peters London Rd, Reed, KY 42451  
866-93-MAYES — FAX 270-826-8586